



(12) **United States Design Patent**  
**Wu et al.**

(10) **Patent No.:** **US D746,448 S**  
(45) **Date of Patent:** **\*\* Dec. 29, 2015**

- (54) **CATHETER CONNECTOR**
- (71) Applicant: **C2 Therapeutics, Inc.**, Redwood City, CA (US)
- (72) Inventors: **Patrick P. Wu**, San Carlos, CA (US); **Timothy D. Holland**, Los Gatos, CA (US); **Gabriel Francis Wilgus Newell**, San Francisco, CA (US)
- (73) Assignee: **C2 Therapeutics, Inc.**, Redwood City, CA (US)
- (\*\*) Term: **14 Years**
- (21) Appl. No.: **29/488,325**
- (22) Filed: **Apr. 17, 2014**
- (51) **LOC (10) Cl.** ..... **24-01**
- (52) **U.S. Cl.**  
USPC ..... **D24/129**
- (58) **Field of Classification Search**  
USPC ..... D24/112–114, 133, 186, 104, 130, 127; 606/181, 185, 21; 604/264, 272, 115, 604/232, 187, 158, 164.08, 192, 263, 163, 604/181, 184, 198, 227  
CPC ..... A61B 18/1492; A61B 2018/00791; A61M 39/10; A61M 25/02; A61M 39/1011  
See application file for complete search history.

D405,232	S	*	2/1999	Stevens et al.	.....	D28/58
D538,936	S	*	3/2007	Bohmel et al.	.....	D24/152
D547,868	S	*	7/2007	Nakanishi	.....	D24/146
7,380,480	B1	*	6/2008	Chen	.....	81/9.22
D598,543	S	*	8/2009	Vogel et al.	.....	D24/133
D626,648	S	*	11/2010	Ahlgren	.....	D24/130
D675,318	S	*	1/2013	Luk et al.	.....	D24/130
D698,458	S	*	1/2014	Tsai et al.	.....	D24/224
D717,941	S	*	11/2014	Mach et al.	.....	D24/113
2012/0271335	A1	*	10/2012	Lee	.....	606/185
2014/0276539	A1	*	9/2014	Allison et al.	.....	604/500

\* cited by examiner

*Primary Examiner* — David Muller  
*Assistant Examiner* — Nathan Johnston  
(74) *Attorney, Agent, or Firm* — Haynes Beffel & Wolfeld LLP; James F. Hann

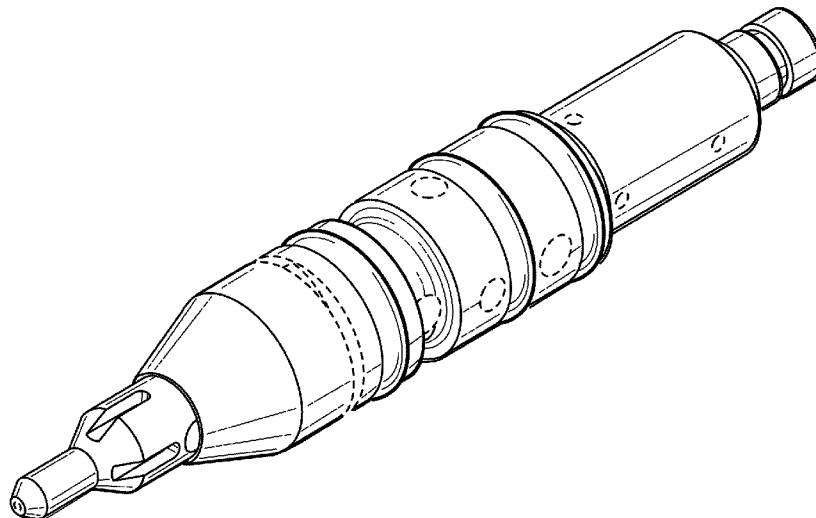
(57) **CLAIM**  
The ornamental design for a catheter connector, as shown and described.

**DESCRIPTION**

FIG. 1 is a perspective view of a catheter connector showing our new design;  
FIG. 2 is a top plan view thereof;  
FIG. 3 is a front elevation view thereof;  
FIG. 4 is a right side elevation view thereof;  
FIG. 5 is a left side elevation view thereof;  
FIG. 6 is a rear elevation view thereof; and,  
FIG. 7 is a bottom plan view thereof.  
The broken lines are for the purpose of illustrating portions of the catheter connector and form no part of the claimed design. The catheter connector is used to connect a medical catheter to medical or diagnostic fluids and/or energy.

**1 Claim, 4 Drawing Sheets**

- (56) **References Cited**  
U.S. PATENT DOCUMENTS  
D262,737 S \* 1/1982 Meller ..... D24/146  
D355,971 S \* 2/1995 Meller ..... D24/152



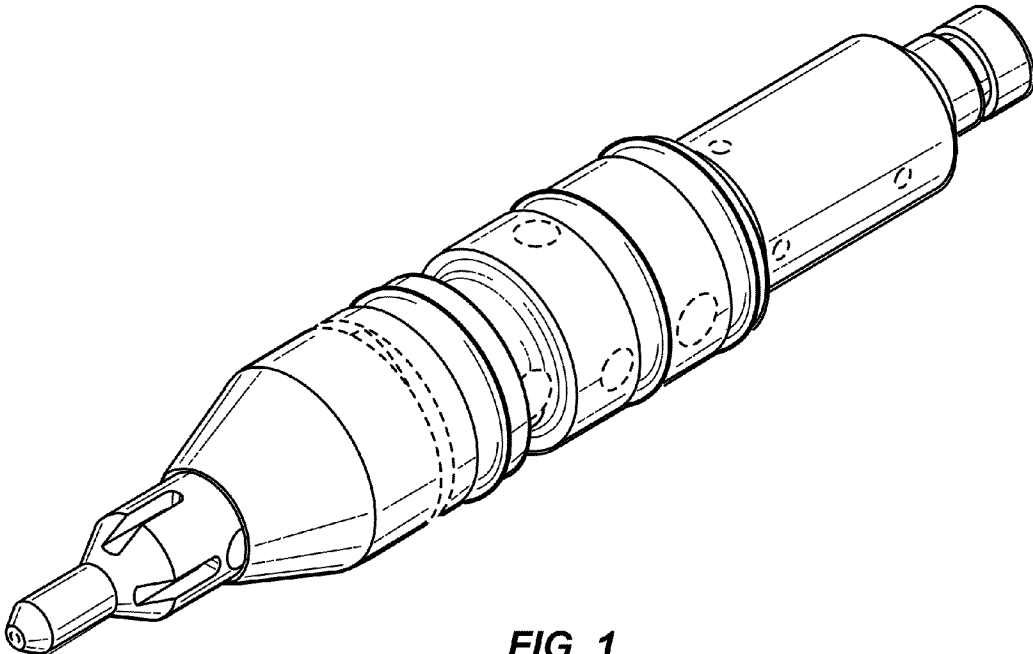


FIG. 1

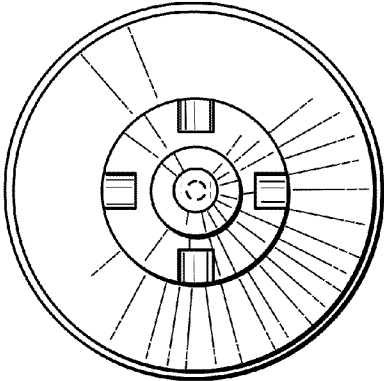
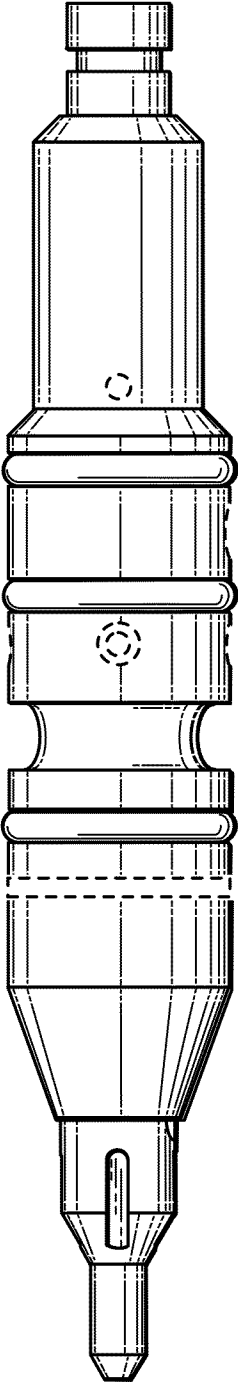


FIG. 3



**FIG. 2**

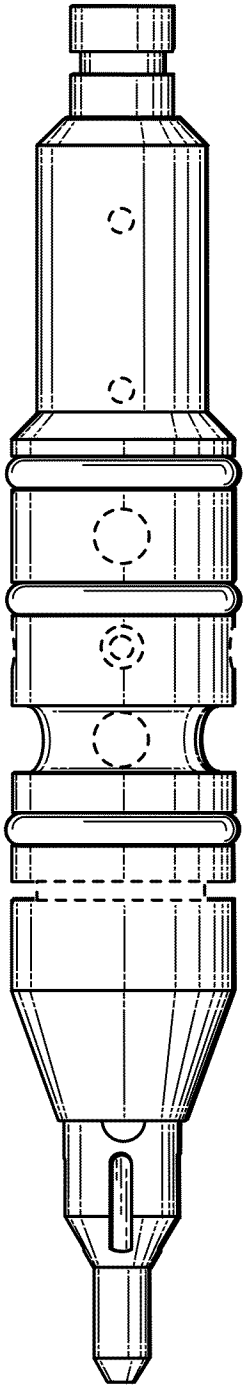


FIG. 4

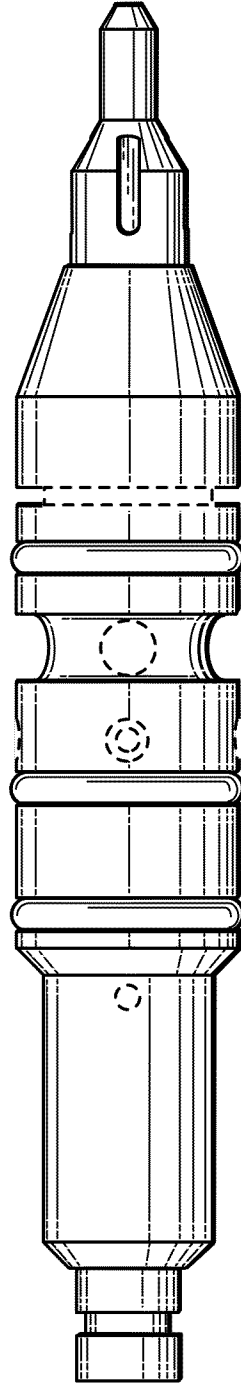
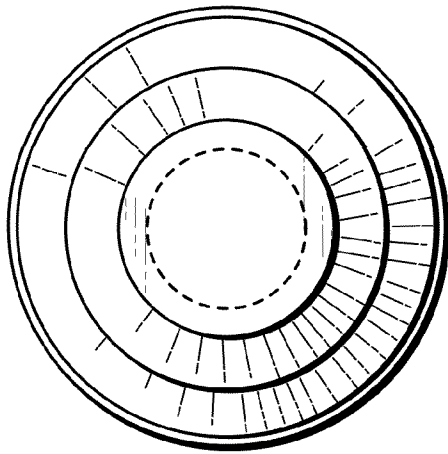
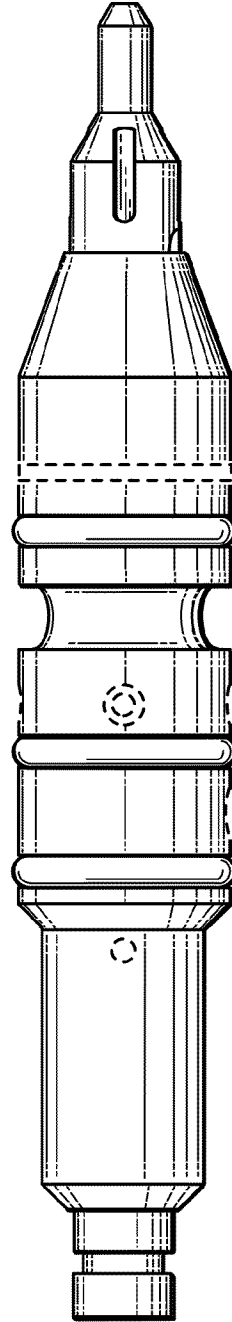


FIG. 5



**FIG. 6**



**FIG. 7**