



US00D649445S

(12) **United States Design Patent**
Gallagher, Jr. et al.

(10) **Patent No.:** **US D649,445 S**

(45) **Date of Patent:** **** Nov. 29, 2011**

(54) **STOPPER CLIP**

(75) Inventors: **William K. Gallagher, Jr.**, Oakland, CA (US); **Louis Edwin Bell**, Albuquerque, NM (US); **Don August Schmaltz**, Albuquerque, NM (US)

(73) Assignee: **Lori Bonn Design, Inc.**, Oakland, CA (US)

(**) Term: **14 Years**

(21) Appl. No.: **29/376,050**

(22) Filed: **Sep. 30, 2010**

(51) **LOC (9) Cl.** **08-08**

(52) **U.S. Cl.** **D8/383**

(58) **Field of Classification Search** D8/383;
D11/200, 201, 216, 206, 213, 222, 218, 6,
D11/87, 94; 24/115 R, 115 H, 200, 196,
24/171, 169, 112, 163 R, 350, 265 R, 30.5 P,
24/543; 63/3, 3.1

See application file for complete search history.

(56) **References Cited**

U.S. PATENT DOCUMENTS

4,038,726	A *	8/1977	Takabayashi	24/198
D264,828	S *	6/1982	Gray	D11/87
4,590,649	A	5/1986	Neilson, Jr.	
4,656,697	A *	4/1987	Naslund	24/30.5 P
D323,102	S *	1/1992	Kipling	D8/331
D331,725	S *	12/1992	Mastoloni	D11/87
5,548,878	A *	8/1996	Romagnoli	24/306
5,687,585	A *	11/1997	Ferrell	63/21
5,706,560	A *	1/1998	Anscher et al.	24/543
5,960,522	A *	10/1999	Boe	24/543
5,979,095	A *	11/1999	Schneider et al.	40/633
6,223,559	B1	5/2001	Coleman	
D466,433	S *	12/2002	Goto	D11/87
D499,330	S *	12/2004	Peato	D8/383
7,007,507	B2 *	3/2006	Enevoldsen	63/3.1
7,249,397	B2 *	7/2007	Abels et al.	24/132 R
D585,331	S *	1/2009	Kumazaki et al.	D11/216
7,540,172	B2	6/2009	Julkowski et al.	

D627,001 S * 11/2010 de Niet D20/22
2002/0144514 A1 10/2002 Rapport
2004/0144131 A1 * 7/2004 Enevoldsen 63/3
2006/0260300 A1 11/2006 Julkowski et al.

* cited by examiner

Primary Examiner — Holly Baynham

Assistant Examiner — Sheryl Lane

(74) *Attorney, Agent, or Firm* — James F. Hann; Haynes Beffel & Wolfeld LLP

(57) **CLAIM**

We claim the ornamental design for a stopper clip, as shown and described.

DESCRIPTION

This is related to two copending U.S. patent applications, both entitled Stopper Clip, both filed on the same date as this application, having Ser. No. 29/376,048 and Ser. No. 29/376,049, the applications having a common assignee, the disclosures of which are incorporated by reference.

FIG. 1 is a front, right side, top perspective view of a stopper clip in a close position showing our new design;

FIG. 2 is a top plan view thereof;

FIG. 3 is a front elevational view thereof;

FIG. 4 is a right side elevational view thereof;

FIG. 5 is a rear elevational view thereof;

FIG. 6 is a left side elevational view thereof;

FIG. 7 is a bottom plan view thereof;

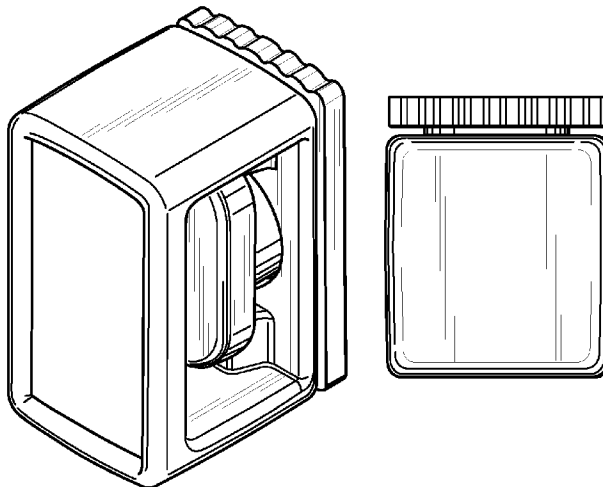
FIG. 8 shows is a front, right side, top perspective view of the bracelet stopper clip shown in an open position; and,

FIG. 9 is an environmental view illustrating the use of the stopper clip of FIG. 1 mounted to a bracelet and used to position charms along the bracelet.

The broken line showing of the bracelet is for the purpose of showing environment and forms no part of the claimed design.

The bracelet stopper clip is used to position charms along a bracelet as illustrated in FIG. 9.

1 Claim, 3 Drawing Sheets



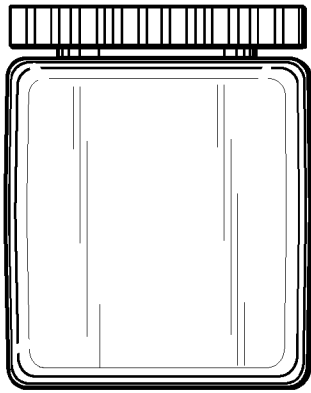


FIG. 2

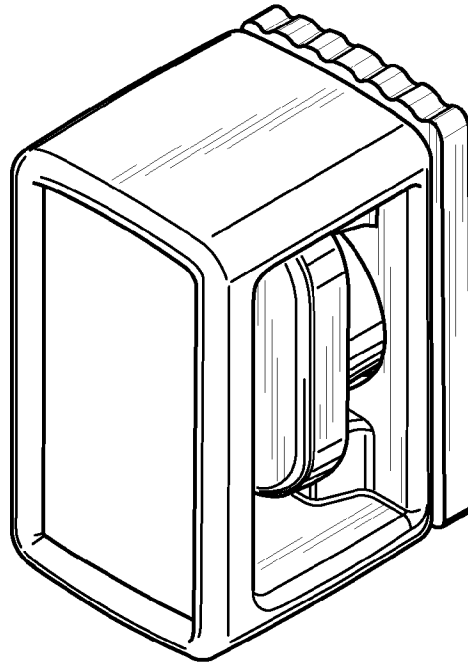


FIG. 1

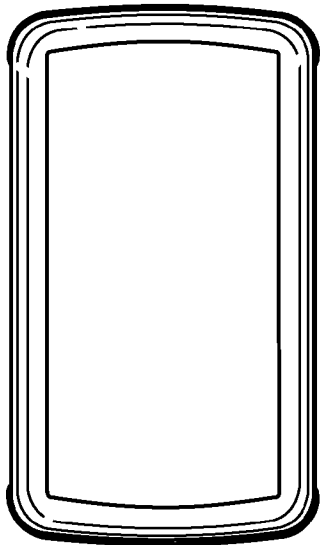


FIG. 3

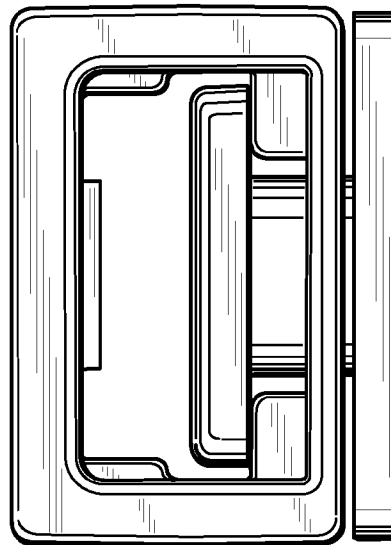


FIG. 4

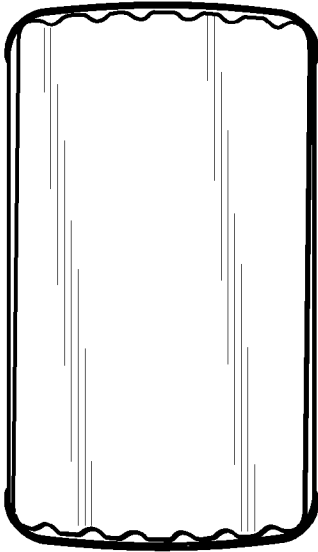


FIG. 5

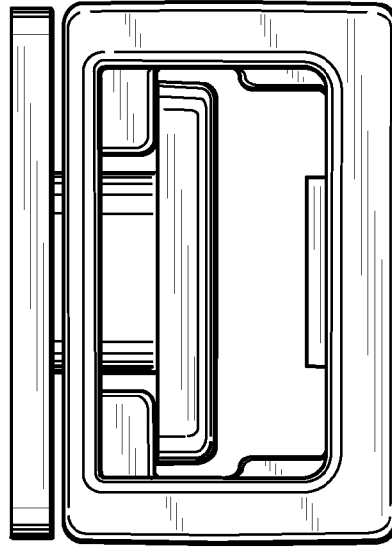


FIG. 6

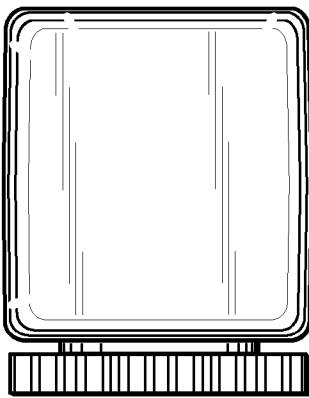


FIG. 7

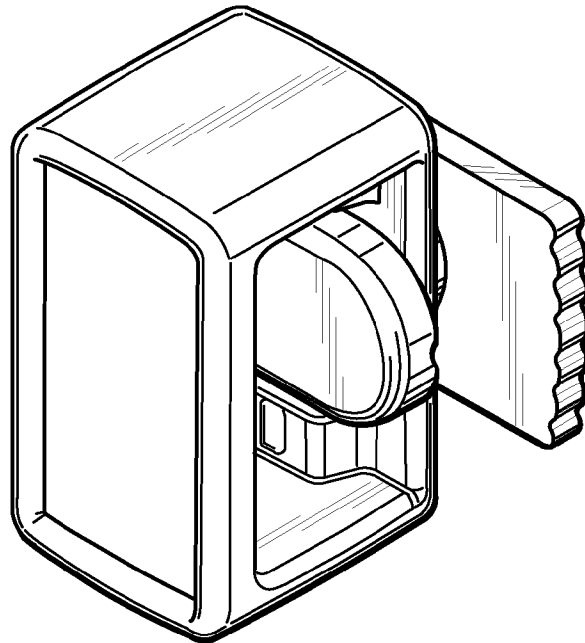


FIG. 8

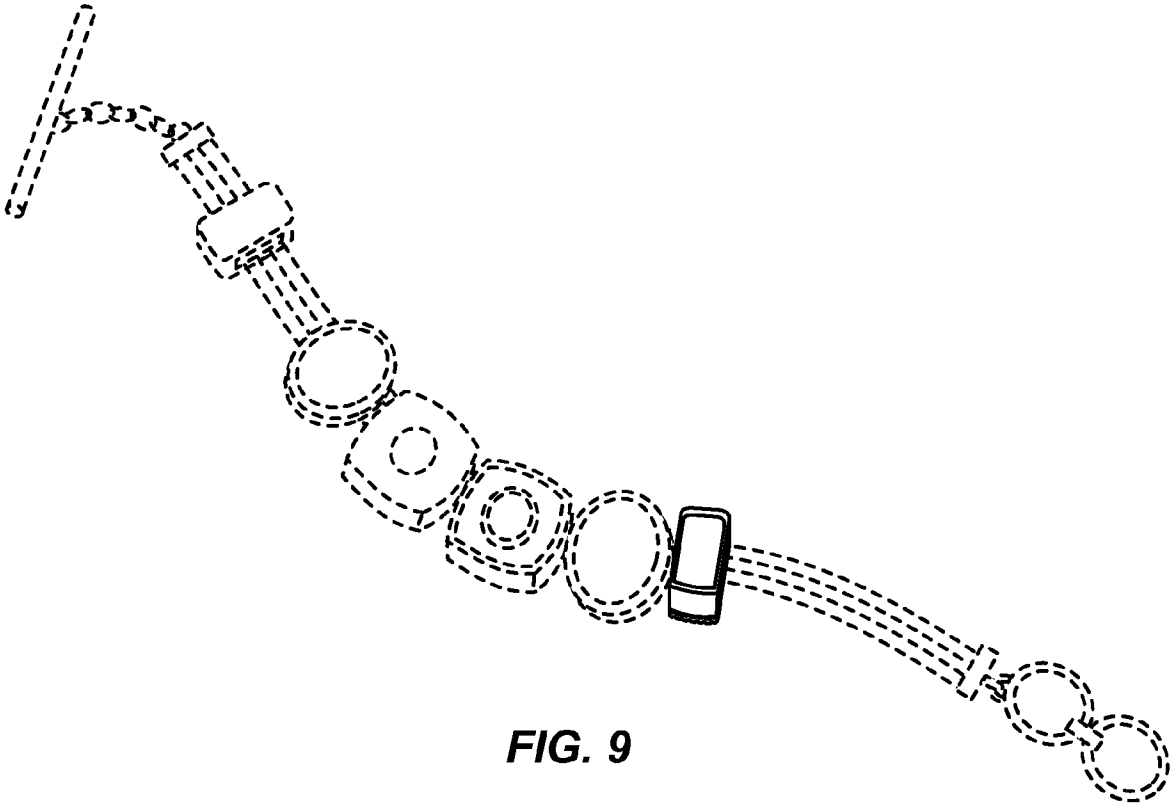


FIG. 9